



MATIRA

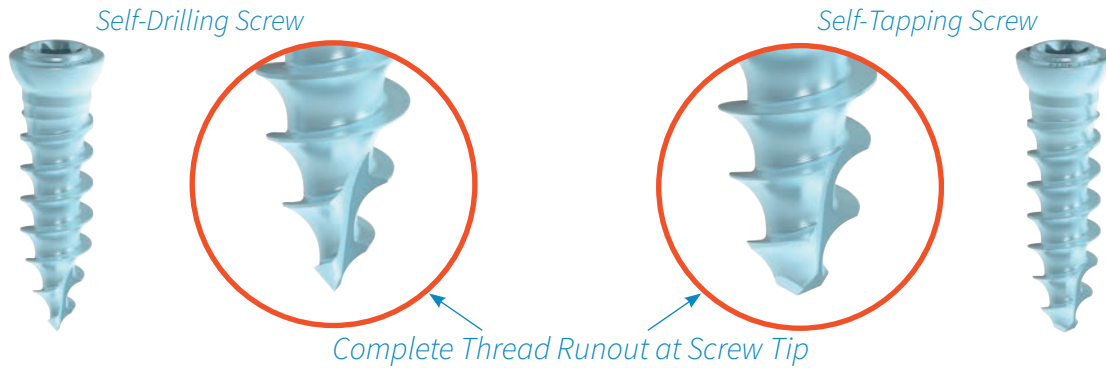
Anterior Cervical System®

The Matira Anterior Cervical System is designed to enhance the surgeon's intraoperative experience while treating complex pathologies. The system features ergonomic, sleek and intuitive instrumentation focused on reducing common intraoperative challenges encountered by physicians.



FEATURES

Self-Drilling or Self-Tapping Screws Available in Fixed and Variable Angulations



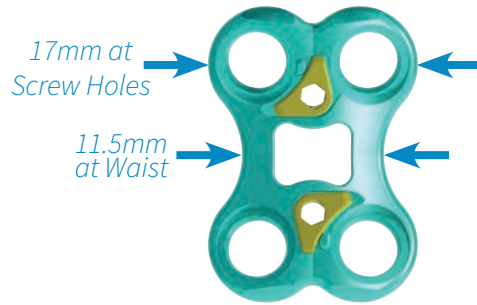
Trial Drill Guides



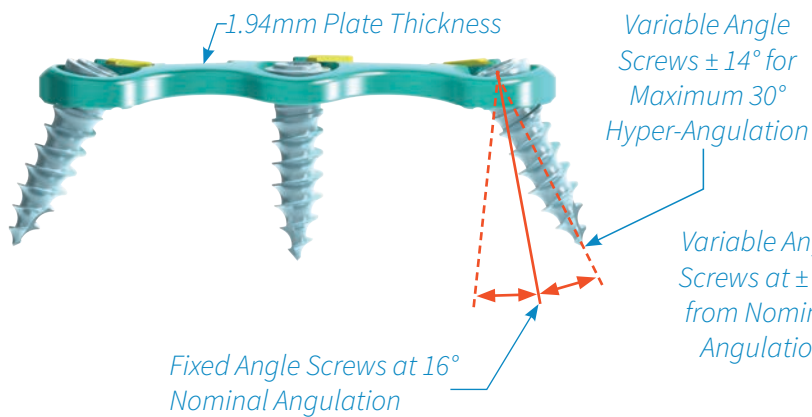
Simple Quarter-Turn Lock



Low-Profile Plate Design



Cephalad/Caudal Screw Angulation



Medial Screw Angulation

